

MES-CK08-078-20EN-0

PREPARED: (2020-10-16) (Version 3)

Instruction for Use

Trade Name: Leg Plate

Warning

When using operating table accessories, always pay close attention to the patient. Patients left in the same posture for an extended period of time are at risk for developing nerve paralysis and/or bedsores.

Contraindication/Prohibition

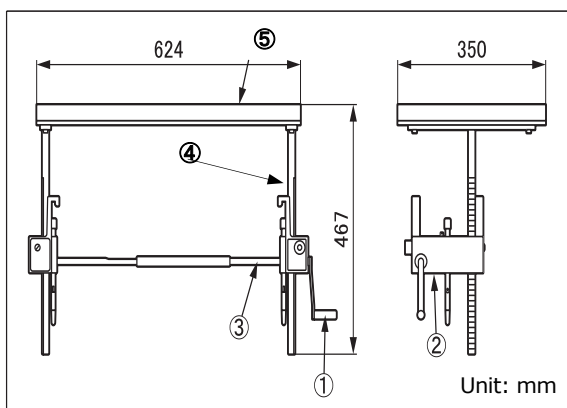
This product is only validated for use with Mizuho operating tables.

Symbol mark for labeling

MD : Medical Device

Specifications

1. Shape



Code No.	Product Description
08-078-20	Leg Plate
08-078-20-R1	Leg Plate (R1)
08-078-20-R2	Leg Plate (R2)

Note: The size of mountable side rail is different.

2. Material

- ① Handle: Stainless steel rod
- ② Gear case: Stainless steel plate
- ③ Motion axis: Stainless steel rod
- ④ Clamp: Stainless cast steel
- ⑤ Foot plate: Urethane foam

Note: Reference numbers are corresponding to that indicated in 1. Shape shown above.

3. Operating principle

When rotating the handle, the gear will engage the rack to move the foot plate up and down.

4. Maximum elevation height

270mm

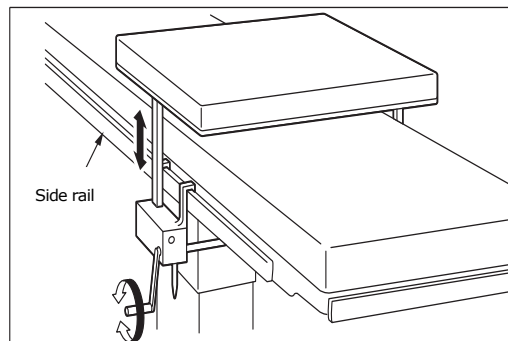
Intended purpose

When rotating the handle, the gear will engage the rack to move the foot plate up and down.

Intended user

This product is to be used by health care professionals, including but not limited to surgeons, nurses and biomedical technicians.

Instructions for use



1. Attach the Foot Support Table to the side rail of an operating table.
2. Use the handle to adjust the foot plate up or down.

Warning / Caution

Important caution

1. When working with an operating table, take care not to allow this product to make contact or interfere with the table top or with other operating table accessories used in combination with this product.
2. For hygiene, be sure to use sterilized drapes on the areas on this product where the patient comes into contact with it.

Storage / Life

1. Do not store the device in high temperatures or in areas with high humidity where the temperature has drastic variations.
2. Service life of this product: 7 years (subject to the specified maintenance and inspection and is stored properly)

Maintenance / Inspection

<By the user>

1. Inspection before and after use
Check that this product is not damaged or broken before and after use.
2. Cleaning and disinfection
Wipe off blood, chemicals, contaminants, and other stains with water, and clean the device with gauze or other material moistened with alcohol to disinfect.
3. In case of a malfunction
If you need to have this product repaired, clearly label the device as "Broken", "Need repair" etc. and contact your local dealer or Mizuho.

<By agents>

Maintenance and inspection can only be carried out certified agents of Mizuho.

Packing

1 piece per pack

Warranty

MIZUHO Corporation will repair defective parts of this product without charge for one year from the date of delivery/installment except for cases of damage caused by a third party's repair, act of nature, improper use or intentional damage. All other warranty terms and conditions are subject to regulations of MIZUHO Corporation.

Disposal

This device must be disposed of in accordance with local regulations. Please contact your local distributor for proper disposal.

Notice

Any serious incident that has occurred in relation to the device should be reported to the manufacturer and the competent authority in which the user and / or patient is established.

Manufacturer

MIZUHO Corporation
3-30-13 Hongo, Bunkyo-ku, Tokyo 113-0033, Japan
<http://www.mizuho.co.jp>

European authorized representative

Emergo Europe B.V.
Prinsessegracht 20, 2514 AP, The Hague
The Netherlands